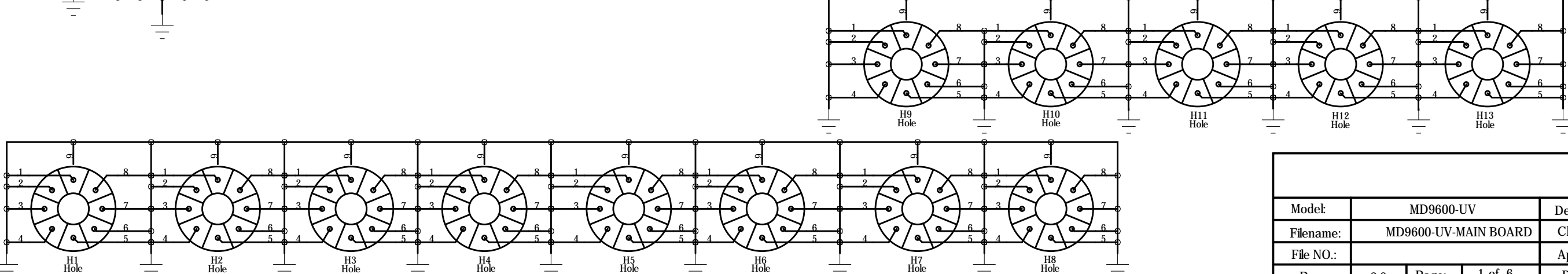
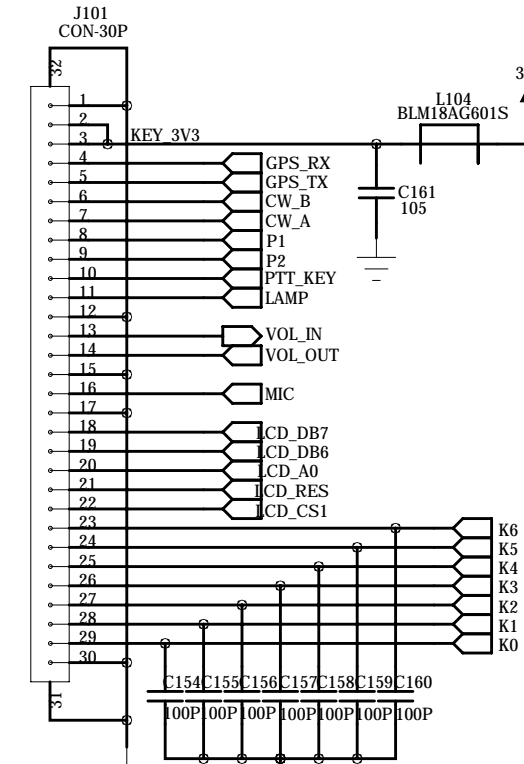
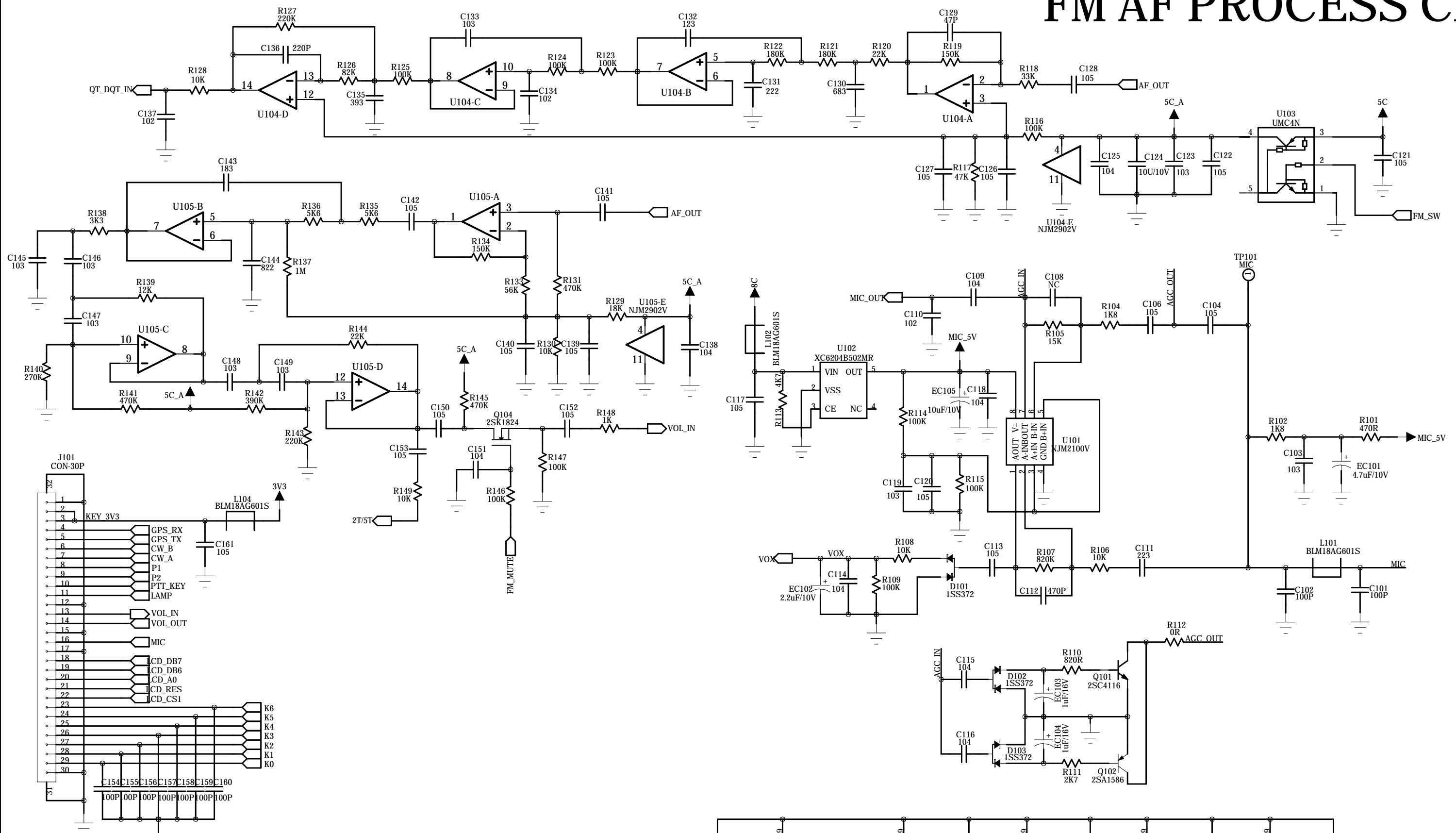
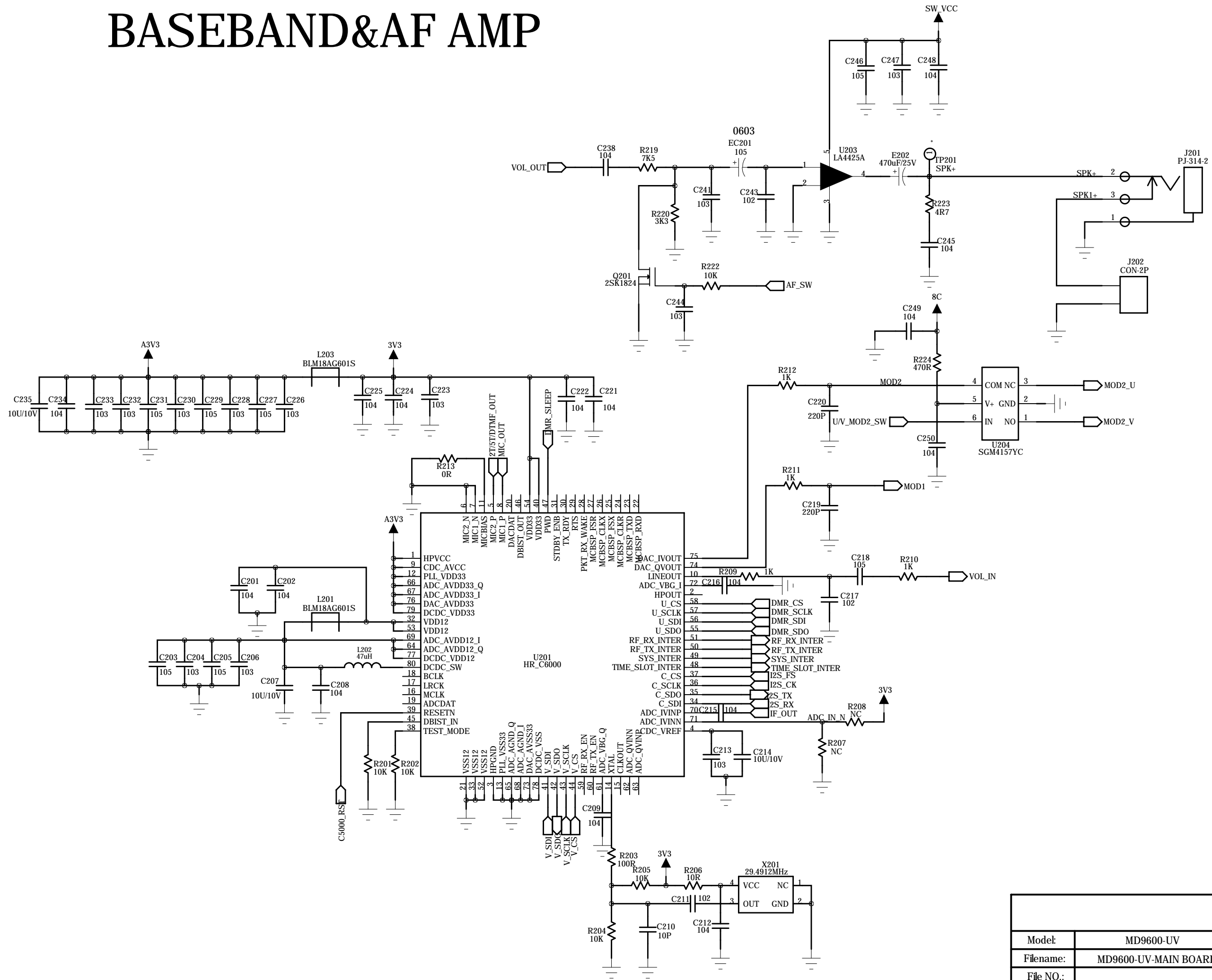


FM AF PROCESS CIRC



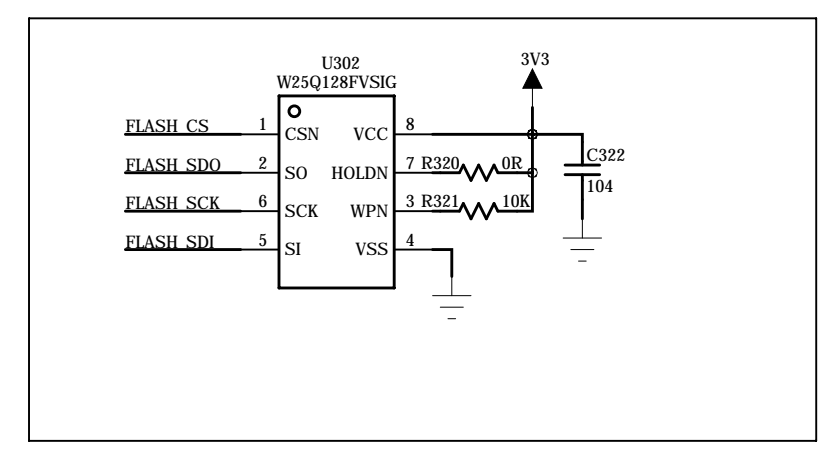
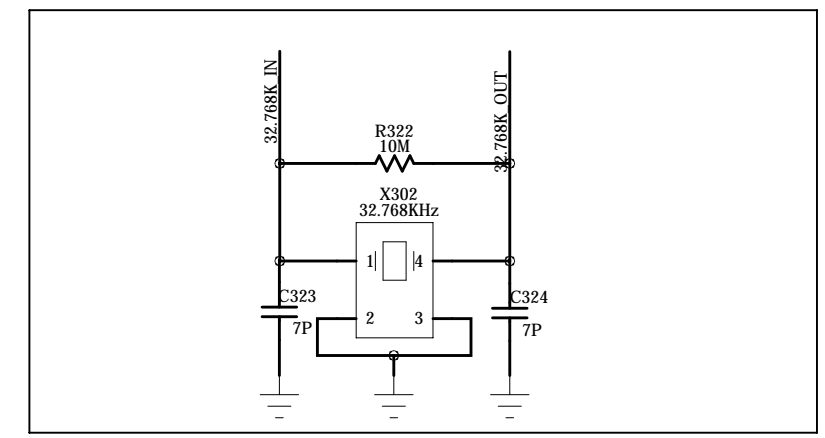
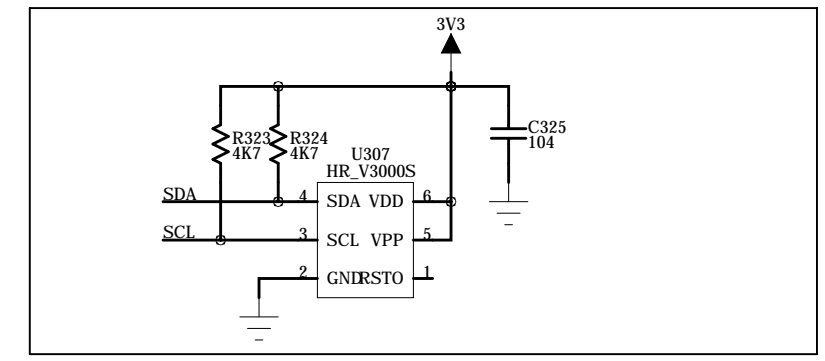
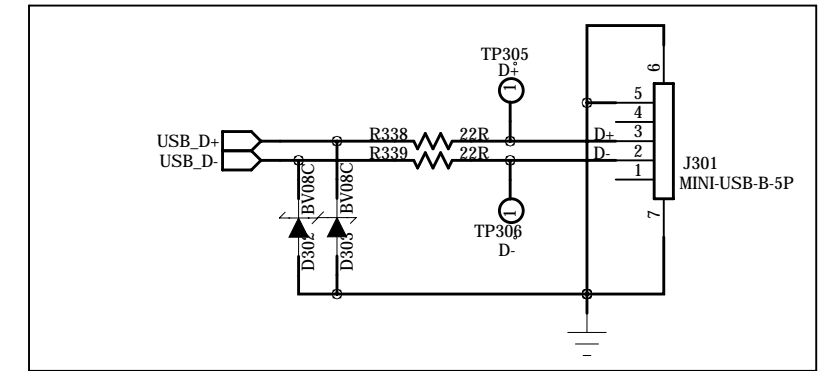
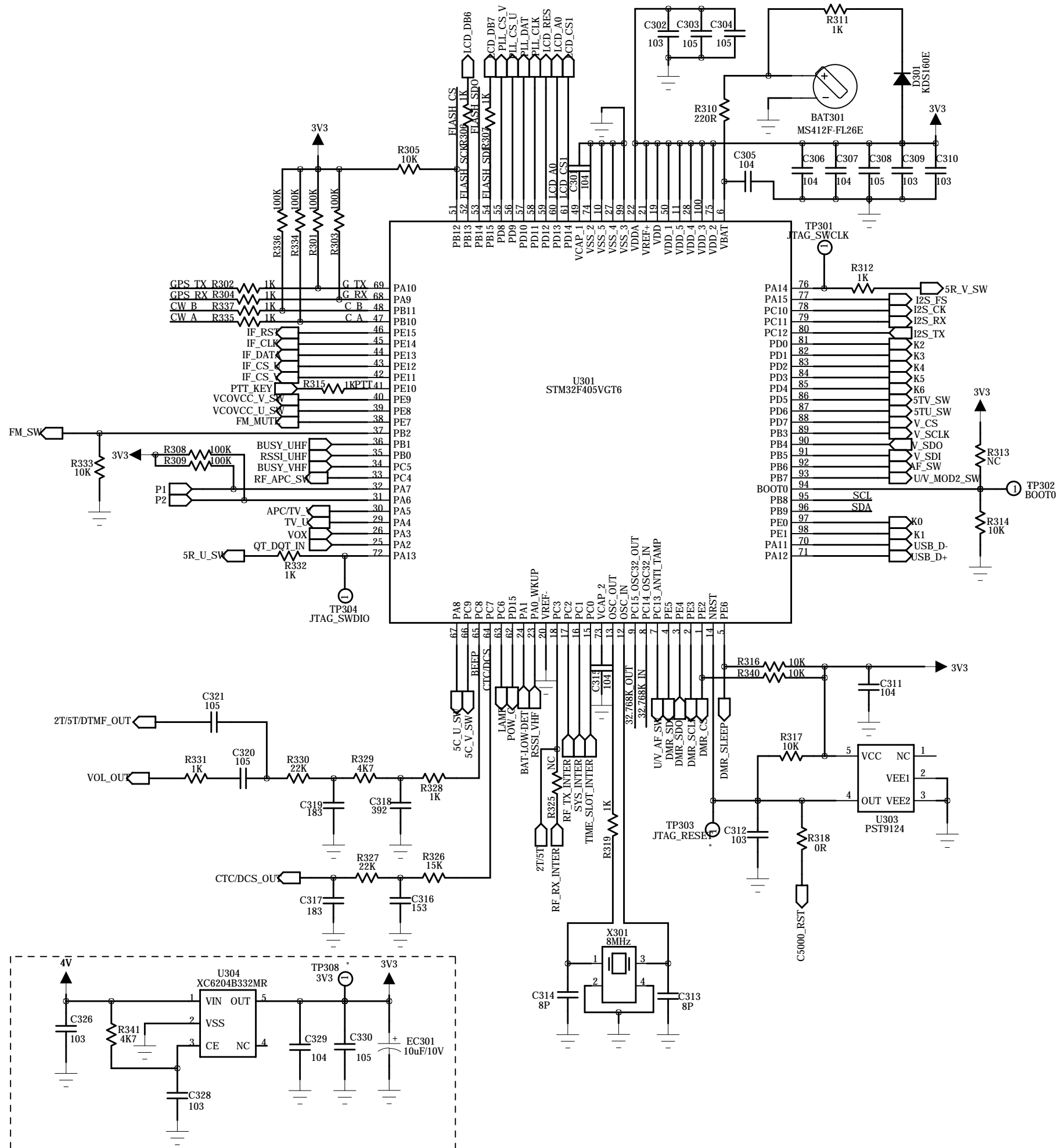
Model:	MD9600-UV	Designer:	
Filename:	MD9600-UV-MAIN BOARD	Check:	
File NO.:		Approve:	
Rev:	2.0	Page:	1 of 6
Date:	2017.04.17		

BASEBAND&AF AMP

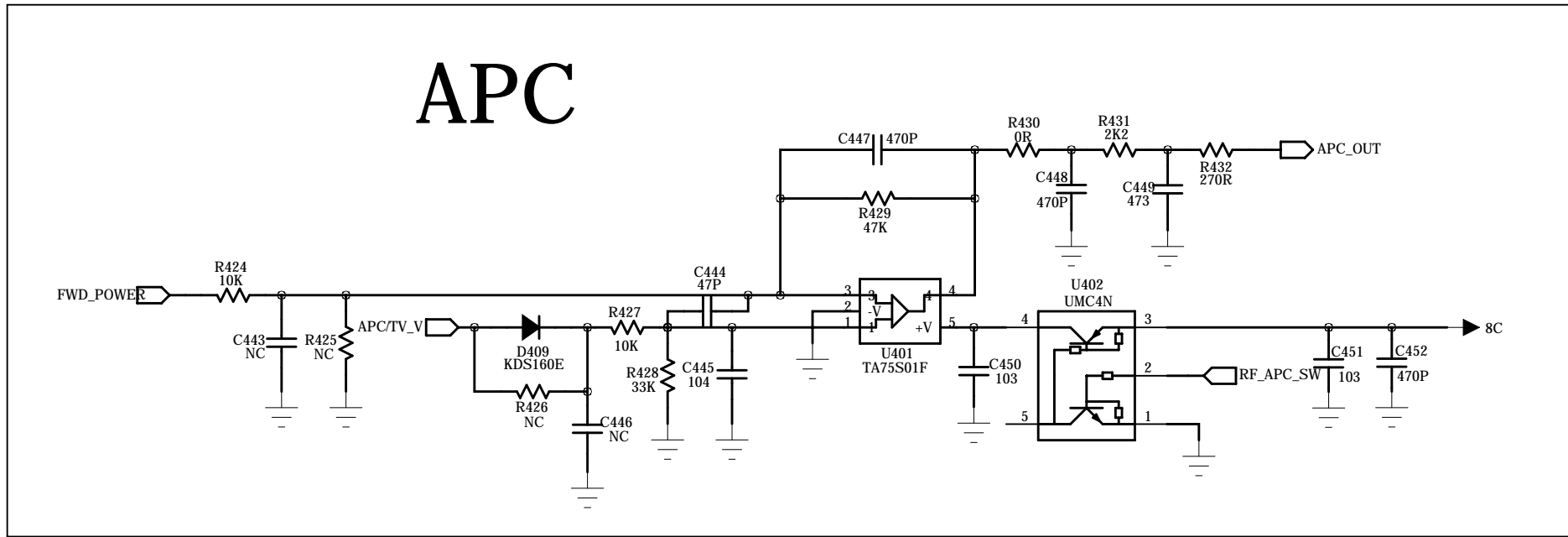
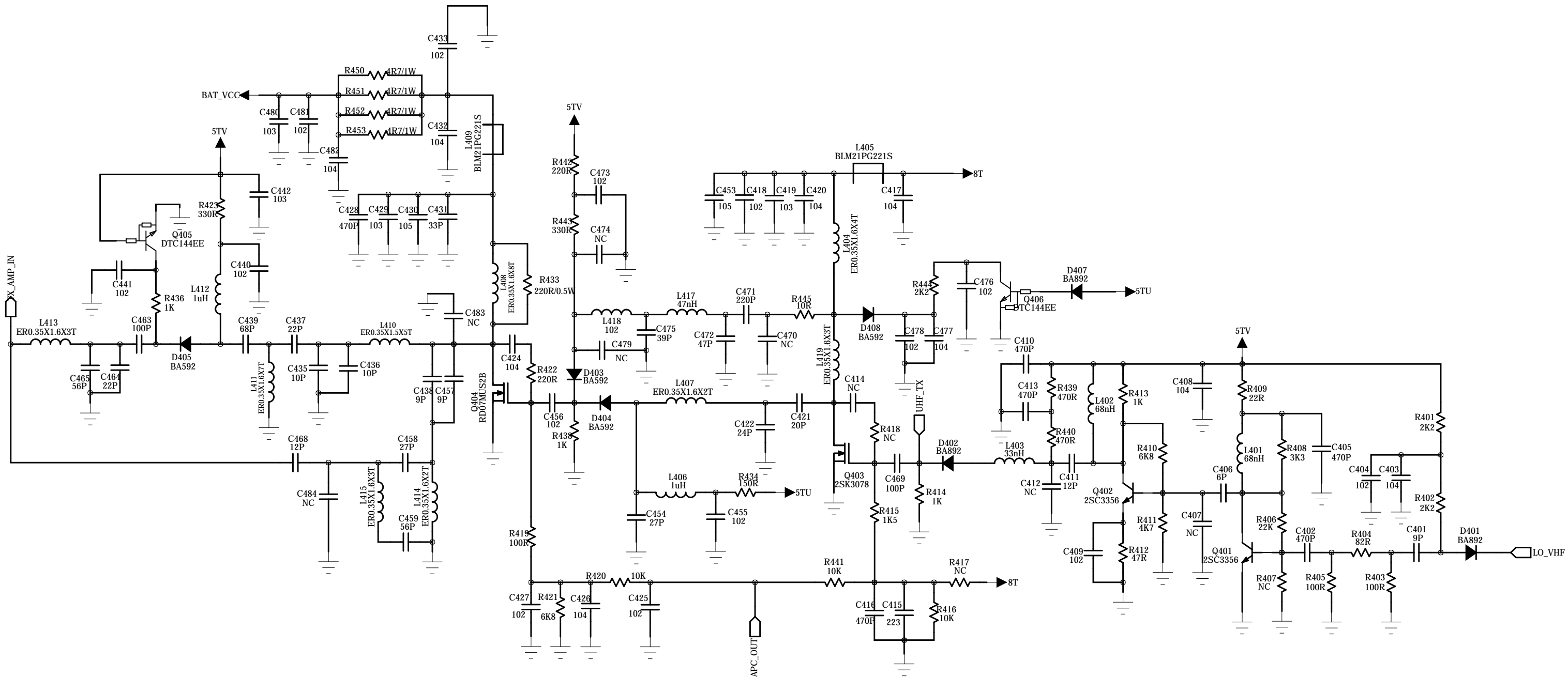


Model:	MD9600-UV	Designer:	
Filename:	MD9600-UV-MAIN BOARD	Check:	
File NO.:		Approve:	
Rev:	2.0	Page:	2 of 6
Date:	2017.04.17		

MCU

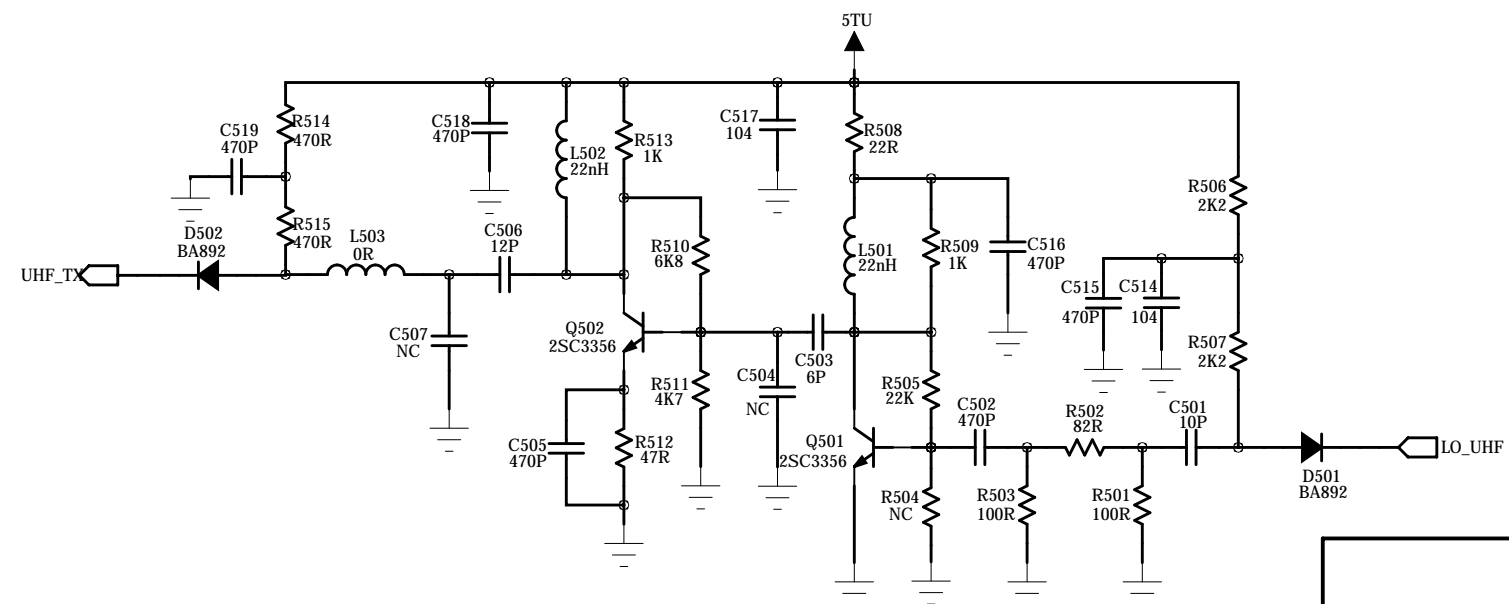
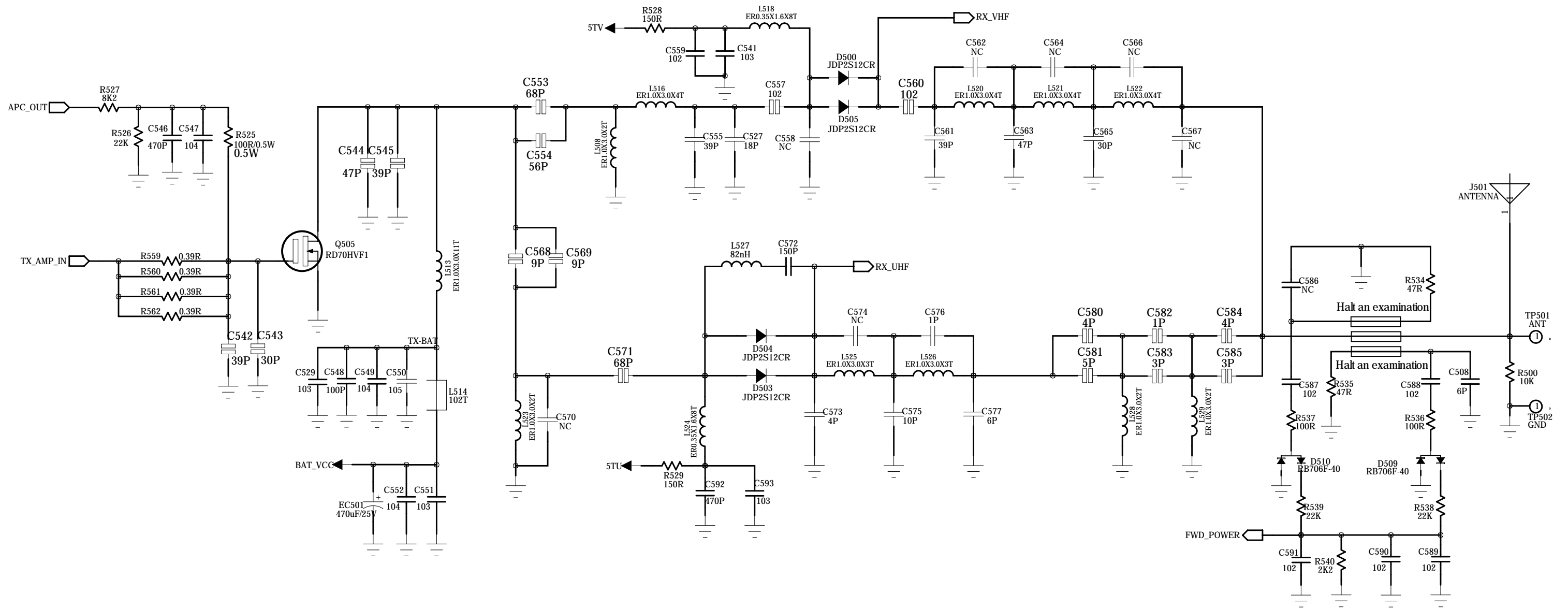


Model:	MD9600-UV	Designer:	
Filename:	MD9600-UV-MAIN BOARD	Check:	
File NO.:		Approve:	
Rev:	2.0	Page:	3 of 6
Date:	2017.04.17		



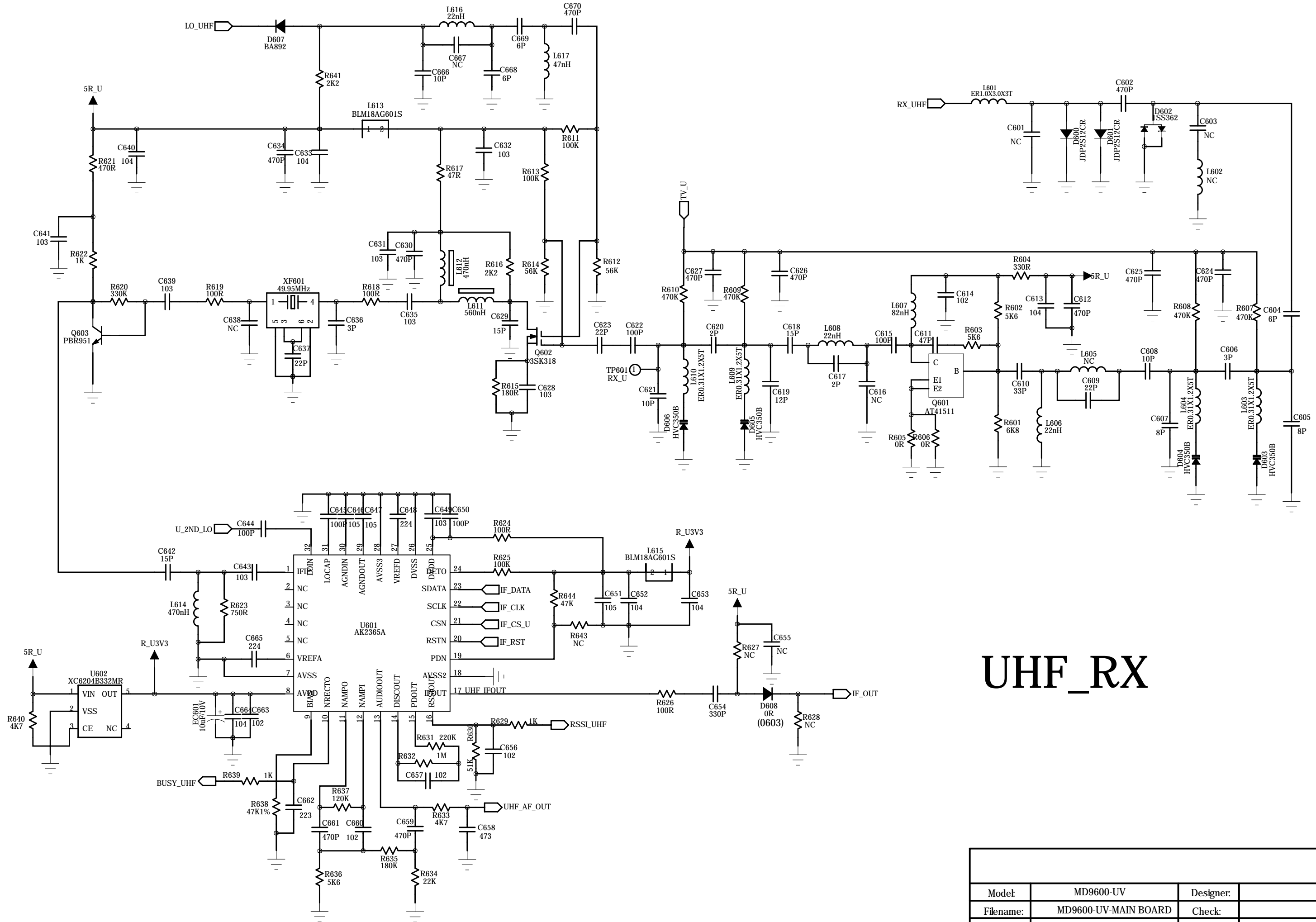
VHF TX DRIVER & APC

Model:	MD9600-UV	Designer:	
Filename:	MD9600-UV-MAIN BOARD	Check:	
File NO.:		Approve:	
Rev:	2.0	Page:	5 of 6
Date:	2017.04.17		



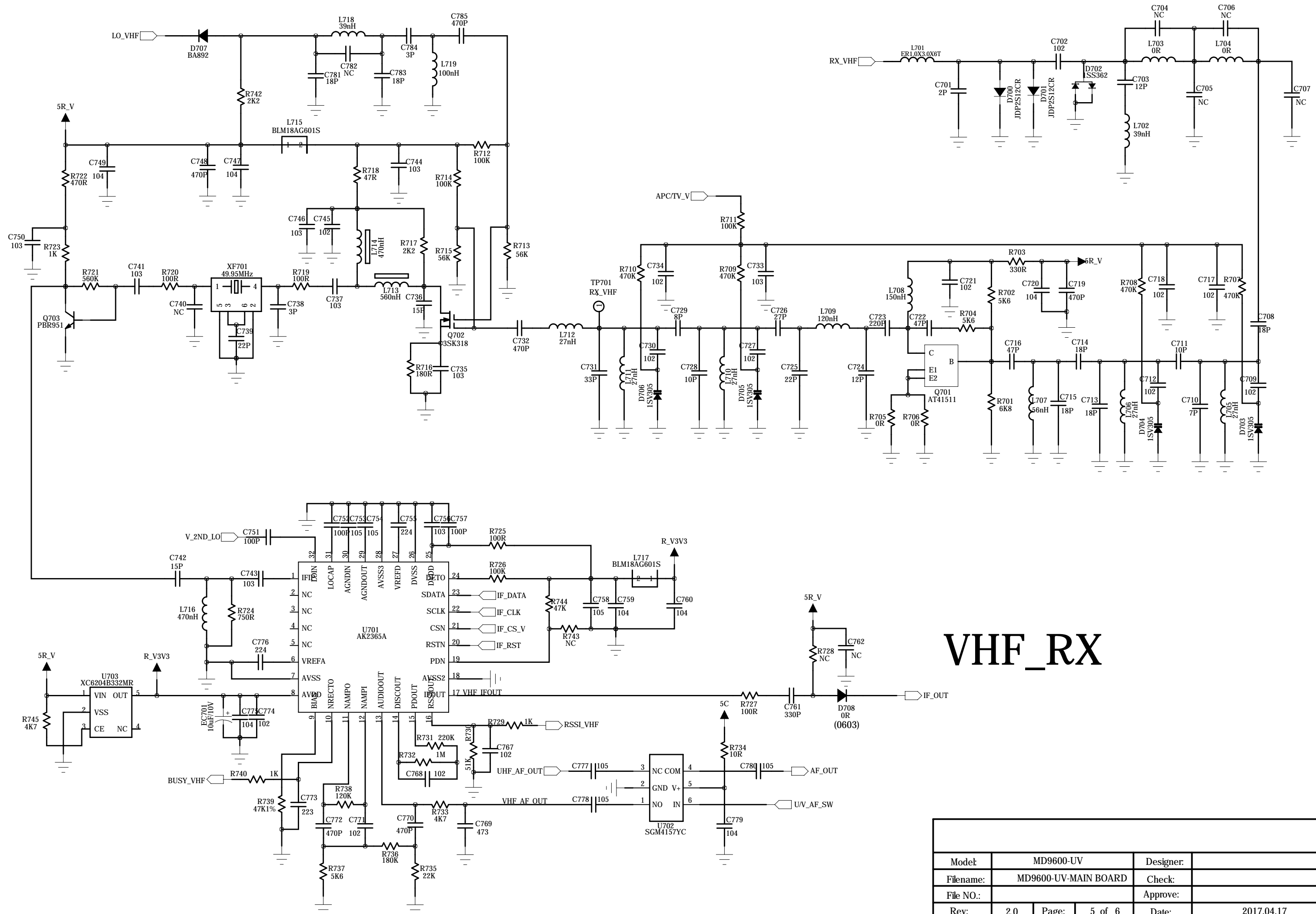
UHF TX POWER

Model:	MD9600-UV	Designer:	
Filename:	MD9600-UV-MAIN BOARD	Check:	
File NO.:		Approve:	
Rev:	2.0	Page:	5 of 6
Date:	2017.04.17		



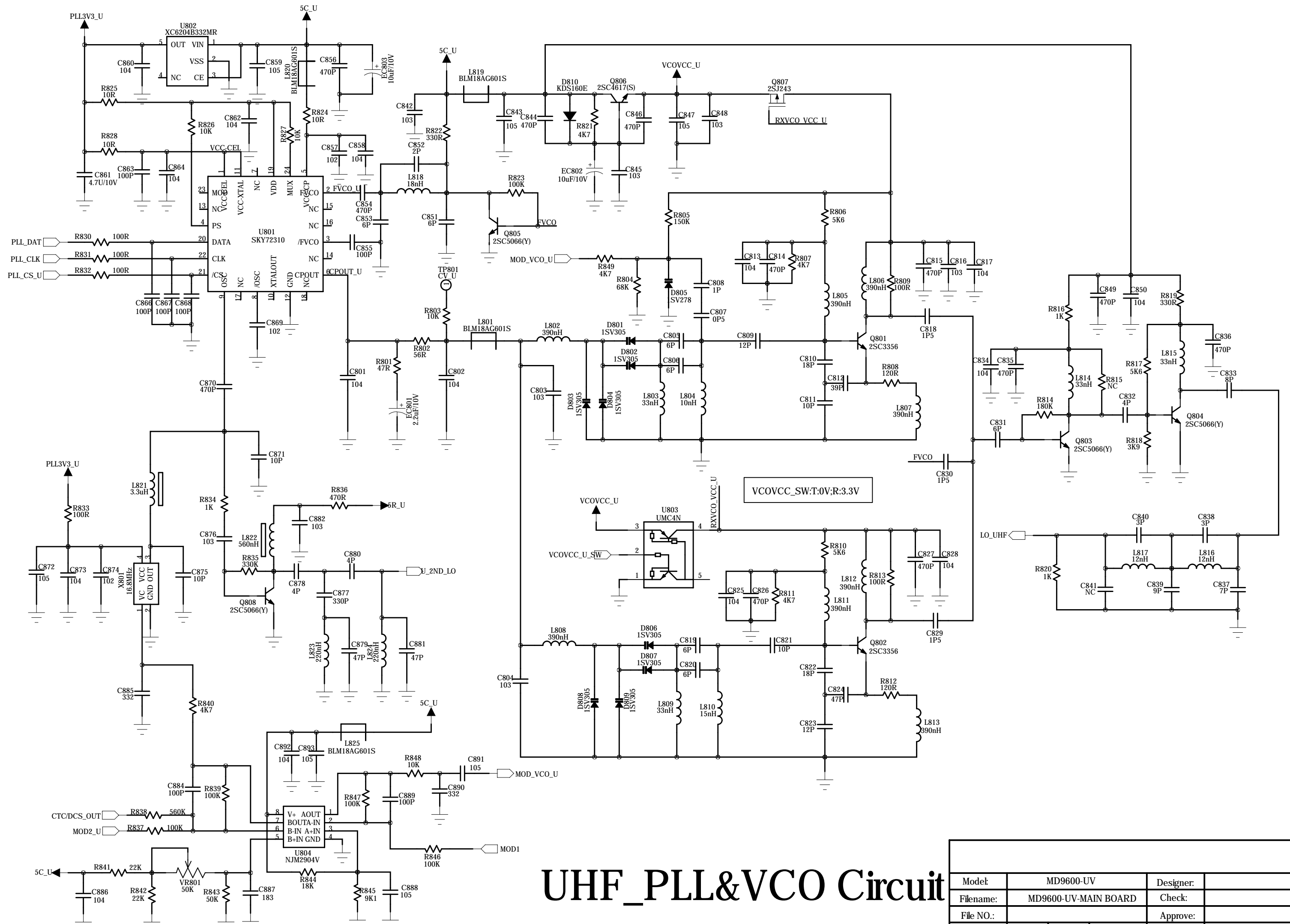
UHF_RX

Model:	MD9600-UV	Designer:	
Filename:	MD9600-UV-MAIN BOARD	Check:	
File NO.:		Approve:	
Rev:	2.0	Page:	5 of 6
Date:	2017.04.17		



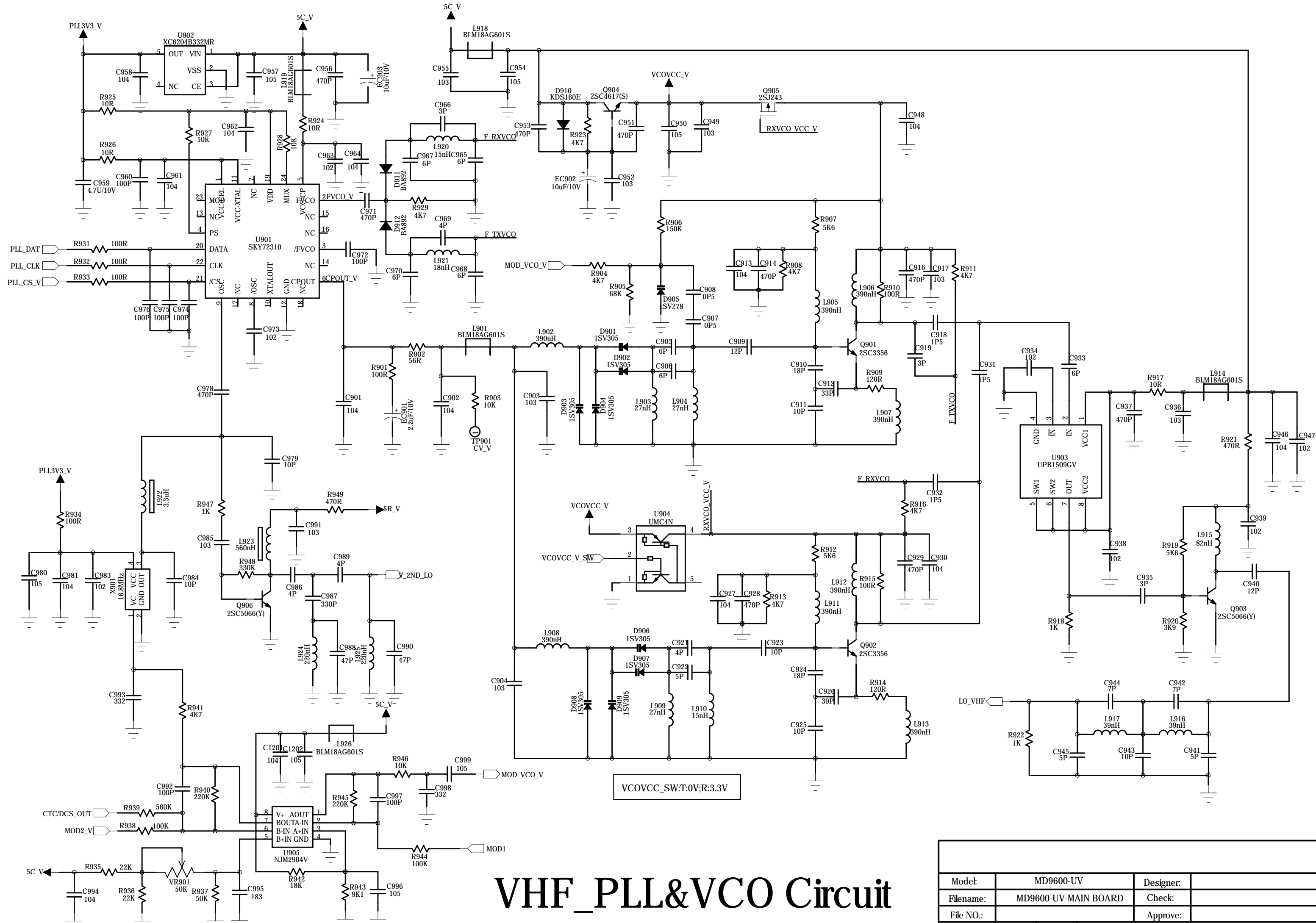
VHF_RX

Model:	MD9600-UV	Designer:	
Filename:	MD9600-UV-MAIN BOARD	Check:	
File NO.:		Approve:	
Rev:	2.0	Page:	5 of 6
Date:	2017.04.17		



UHF_PLL&VCO Circuit

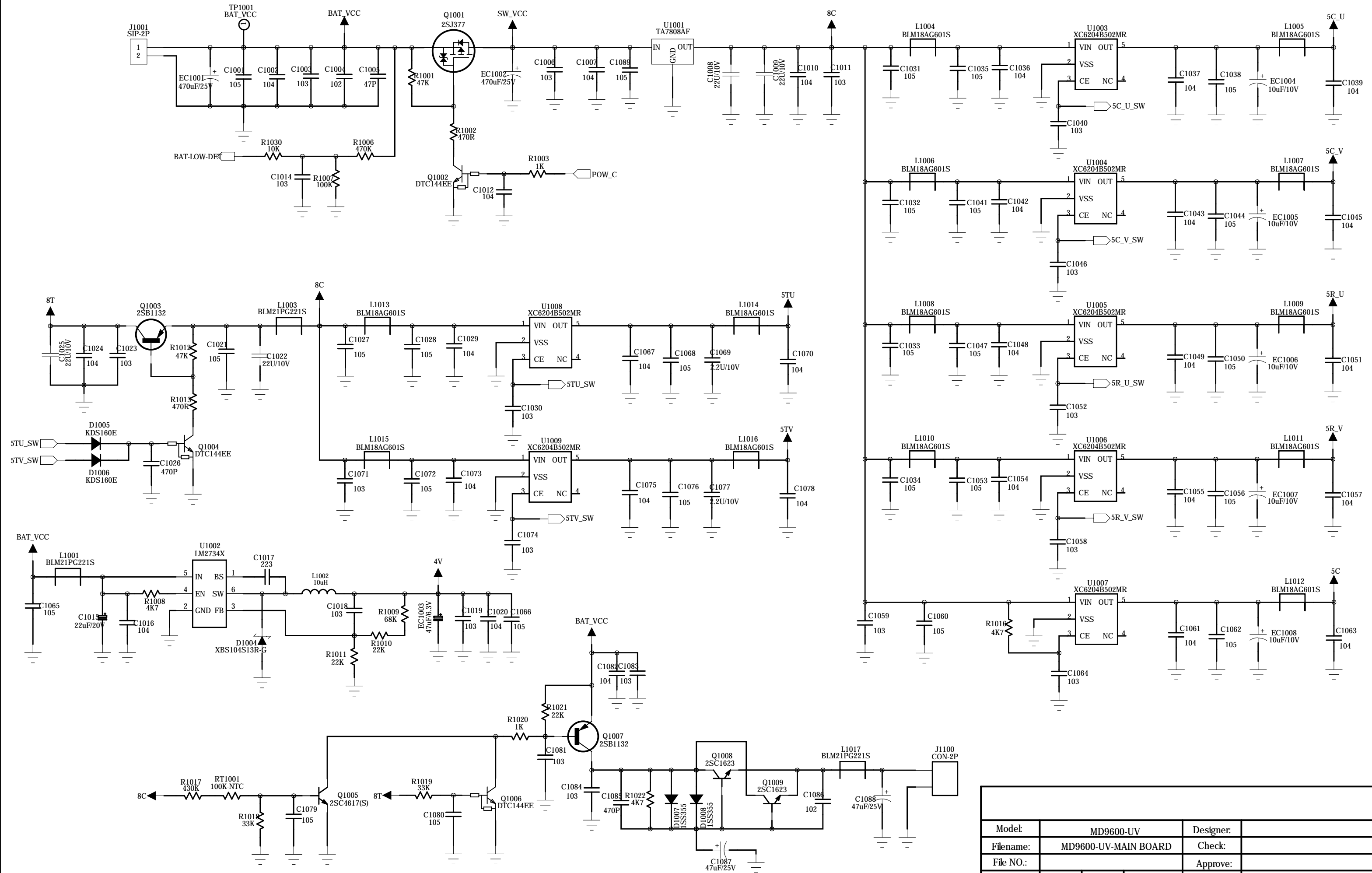
Model:	MD9600-UV	Designer:	
Filename:	MD9600-UV-MAIN BOARD	Check:	
File NO.:		Approve:	
Rev:	2.0	Page:	6 of 6
Date:			2017.04.17



VHF_PLL&VCO Circuit

Model:	MD9600-UV	Designer:	
Filename:	MD9600-UV-MAIN BOARD	Check:	
File NO.:		Approve:	
Rev:	2.0	Page:	9 of 9
		Date:	2017.04.17

POWER CIRCUIT



Model:	MD9600-UV	Designer:	
Filename:	MD9600-UV-MAIN BOARD	Check:	
File NO.:		Approve:	
Rev:	2.0	Page:	4 of 6
Date:	2017.04.17		